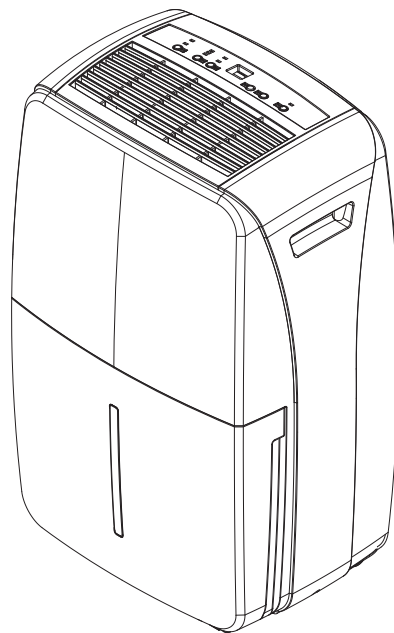




MODEL #RDH70EA  
**DEHUMIDIFIER**

Français p.15



ATTACH YOUR RECEIPT HERE

Serial Number \_\_\_\_\_ Purchase Date \_\_\_\_\_



**Questions, problems, missing parts?** Before returning to your retailer, call our customer service department at 1-855-900-1298 (U.S.) / 1-855-900-1298 (Canada), Monday - Thursday, 8 a.m. - 6 p.m., EST, Friday, 8 a.m. - 5 p.m., EST.

## TABLE OF CONTENTS

---

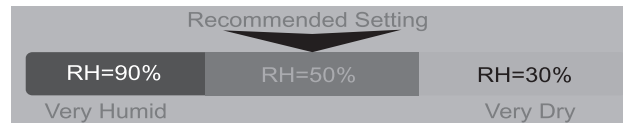
PACKAGE CONTENTS .....	3
SAFETY INFORMATION.....	4
OPERATING INSTRUCTIONS.....	8
CARE AND MAINTENANCE.....	12
TROUBLESHOOTING.....	12
WARRANTY.....	13
REPLACEMENT PARTS LIST.....	14

### IMPORTANT

**Before operating:** 1. Remove the bucket. 2. Remove the strip of tape that covers the float switch inside the bucket. 3. Return the bucket to the unit.

**Before first use:** Let unit stand upright for 30 minutes before powering on.

**Operation:** Unit only reduces humidity when your set humidity is lower than the current room humidity level.



**The TIMER MODE:** This machine can automatically turn on/off depending on your humidity (%RH) setting. Timer mode is to allow you to switch the unit ON/OFF at your desired time if you so desire.

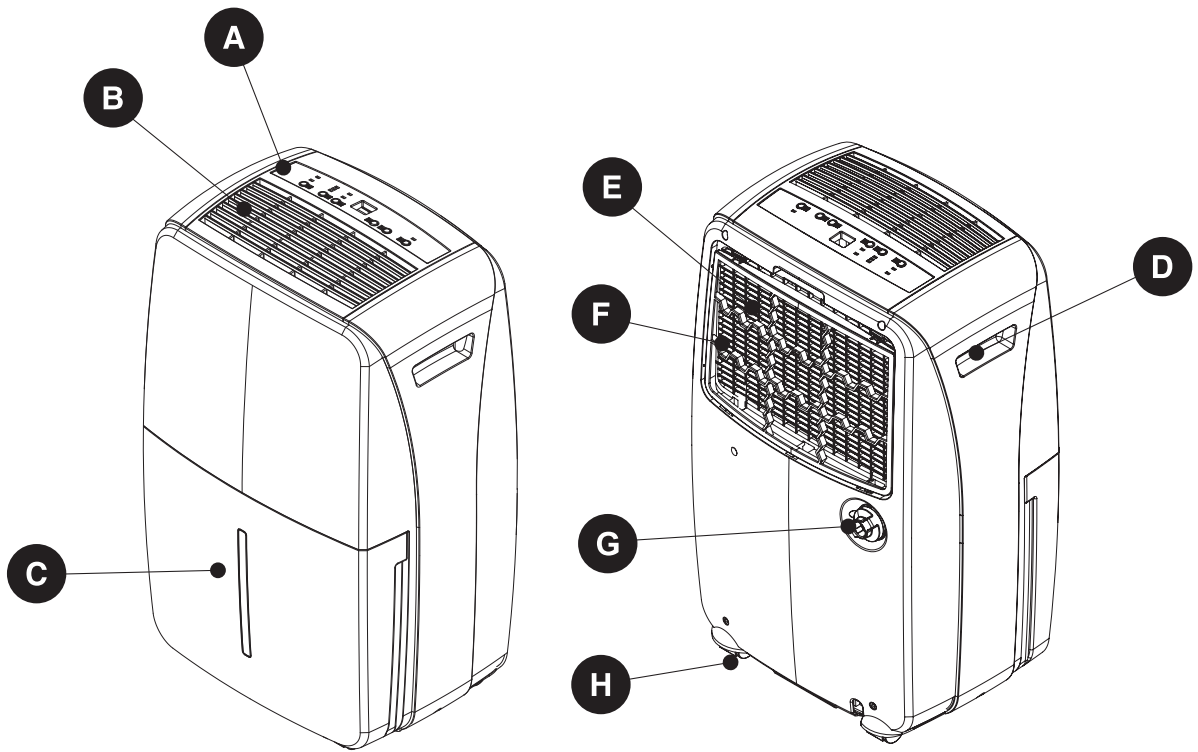
When unit is operating, it displays the current humidity. Press the TIMER button to set the machine to turn off automatically, as per the below timer settings table. Timer "off" light will be ON, 5 seconds after displaying the timer, the display will change back to current room humidity and confirm the set timer.

When unit is off, press the TIMER button to set the machine to turn on automatically, as per the below timer setting table. Timer "on" light will be ON, 5 seconds after displaying the timer, the display will display to turn on time and confirm the set timer.

**TIMER SETTING TABLE:** → 4 hours → 8 hours → 12 hours → Cancel Timer Setting →

**Recommended Operating Temperature Range:** 41°F (5°C) to 89°F (32°C).

# PACKAGE CONTENTS



PART	DESCRIPTION	QUANTITY
A	Control Panel	1
B	Air Vent	1
C	Drain Bucket (Water Tank)	1
D	Handle	2
E	Air Intake	1
F	Air Filter	1
G	Continuous Drain Outlet	1
H	Castors	4



## **SAFETY INFORMATION**

---

Please read and understand this entire manual before attempting to assemble, operate or install the product.

- Check available power supply and resolve any wiring problems BEFORE installation and operation of this unit. All wiring must comply with local and national electrical codes and be installed by a qualified electrician. If you have any questions regarding the following instructions, contact a qualified electrician.
- This appliance draws 7.5 amps and may be used in any properly wired general purpose 15 amp household grounded receptacle.
- For your safety and protection, this unit is grounded through the power cord plug when plugged into a matching wall outlet. If you are not sure whether the wall outlets in your home are properly grounded, consult a qualified electrician.



### **DANGER**

- Do not leave this unit unattended in a space where people or animals that cannot react to a failed unit are located. A failed unit can cause extreme overheating or death in such an enclosed, unattended space.



### **WARNING**

- Improper connection of the grounding plug can result in risk of fire, electric shock, and/or injury to persons associated with the appliance. Check with a qualified service representative if in doubt that the appliance is properly grounded.
- **DO NOT USE PLUG ADAPTERS OR EXTENSION CORDS WITH THIS UNIT.** If it is necessary to use an extension cord with this unit, use an approved “air conditioner” extension cord only.

## **SAFETY INFORMATION**

---

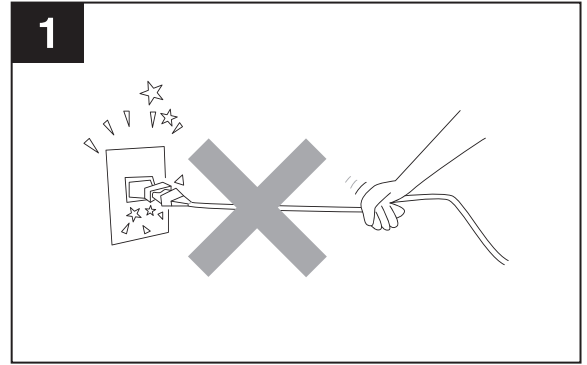
Before beginning installation of product, make sure all parts are present. Compare parts with package contents list. If any part is missing or damaged, do not attempt to installation the product.

**Estimated Assembly Time:** 20 minutes

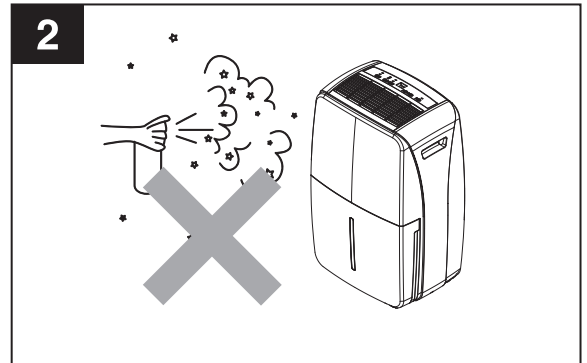


## SAFETY INFORMATION

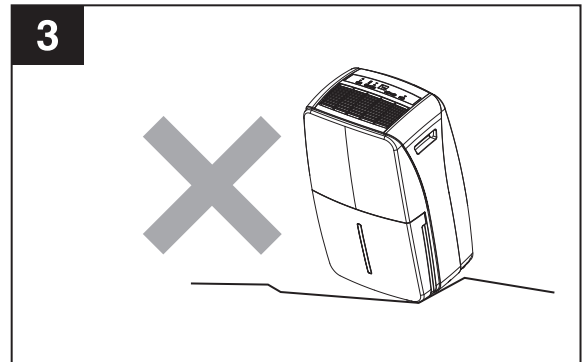
1. DO NOT pull on the power cord to avoid breakage, potential danger, or injury.



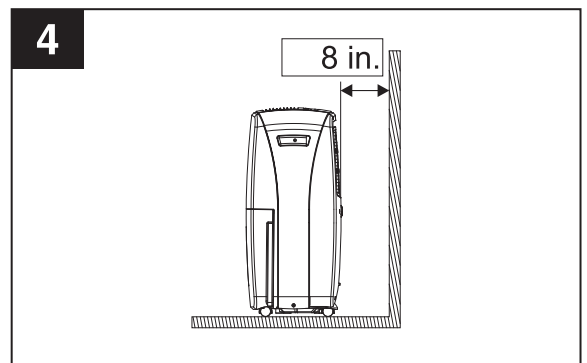
2. DO NOT use insect repellent, spray oil or spray paint around the machine. These products might cause damage to plastic parts or start a fire.



3. DO NOT place the unit on uneven ground to avoid shaking, noise, and water leakage.

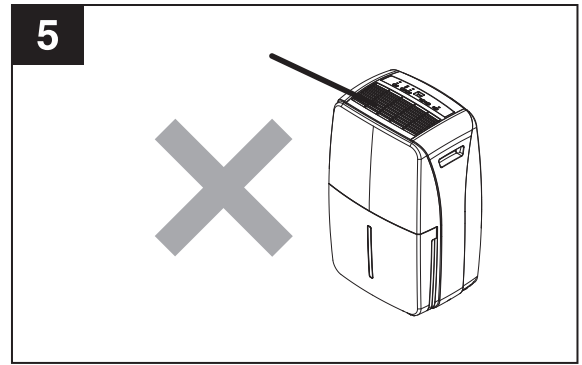


4. Always keep the unit 8 in. or more from the wall to dissipate heat properly.

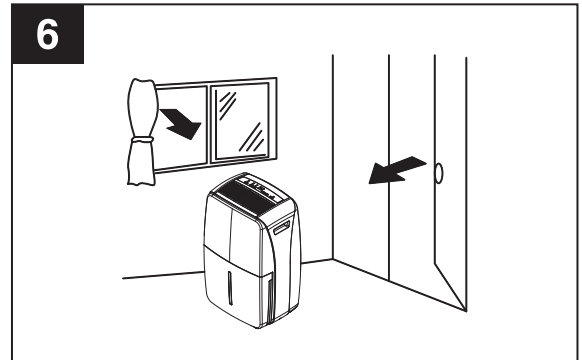


## SAFETY INFORMATION

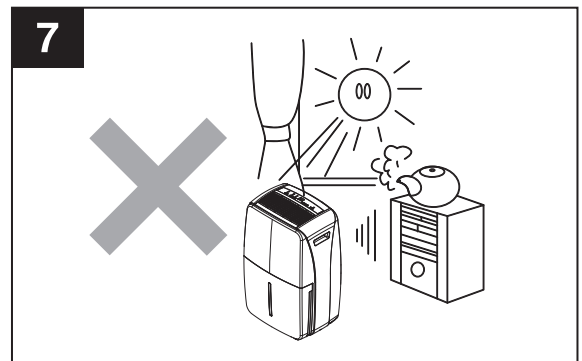
5. DO NOT drop anything into the machine.



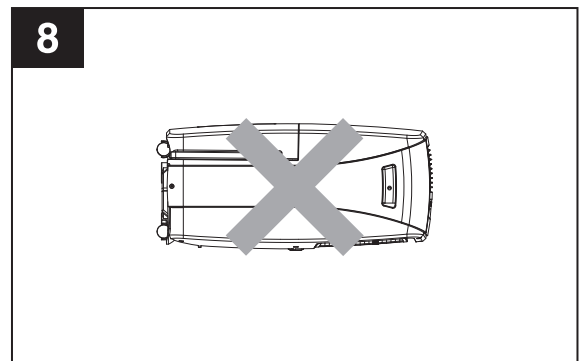
6. Close all windows to allow for the maximum possible efficiency or removal of moisture.



7. Keep the machine away from any type of heat source.

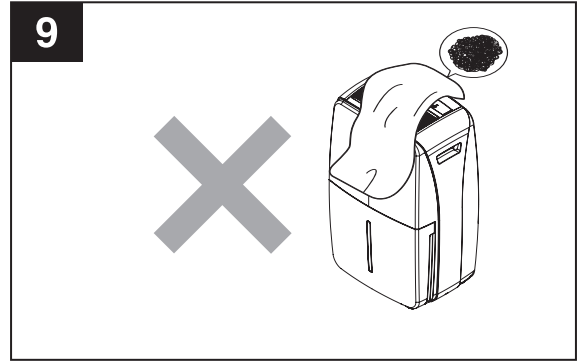


8. When moving or putting in storage, do not place the dehumidifier on its side or upside down and avoid shaking it.

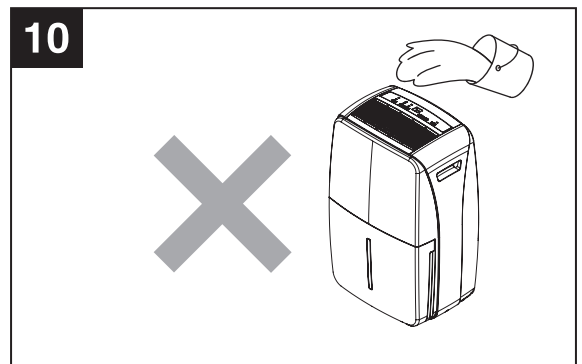


## SAFETY INFORMATION

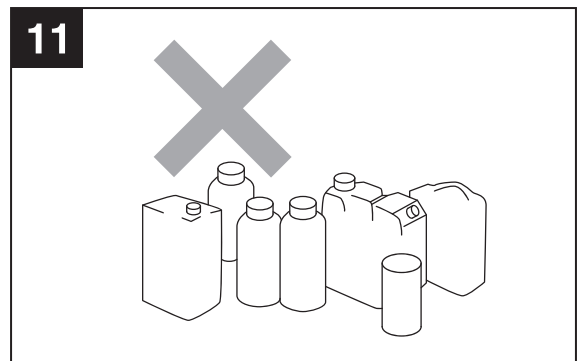
9. DO NOT put anything on top of air outlet or close to air inlet. It may cause failure of appliance or poor performance.



10. Do not let the machine or control panel get wet.

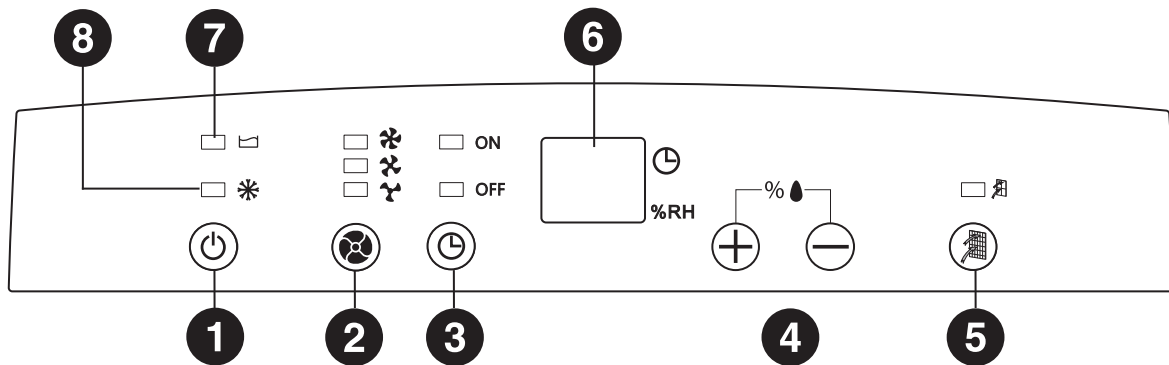


11. Keep flammable gas/oil away from the machine.



## OPERATING INSTRUCTIONS

### Features of the Control Panel:



**1) POWER Button:** On / Off

**2) FAN SPEED Button:** High / Medium / Low

**3) TIMER:** Auto turn on / Auto turn off

The **TIMER MODE**: This machine can automatically turn on/off depending on your humidity (%RH) setting. Timer mode is to allow you to switch the unit ON/OFF at your desired time if you so desire. When unit is operating, it displays the current room humidity. Press the **TIMER** button to set the machine to turn off automatically, as per the below timer settings table. Timer "off" light will be ON, 5 seconds after displaying the timer, the display will change back to current humidity and confirm the set timer.

When unit is off, press the **TIMER** button to set the machine to turn on automatically, as per the below timer settings table. Timer "on" light will be ON, 5 seconds after displaying the timer, the display will display to turn on time and confirm the set timer.

**TIMER SETTING TABLE:** 4 hours → 8 hours → 12 hours → Cancel Timer Setting

### 4 ) HUMIDITY Setting

When unit is operating, it displays the current room humidity. Press "+" or "-" buttons to select humidity setting. The humidity is adjusted in increments of 5% by each press. Adjustable range 30% RH to 90% RH. 10 seconds after setting humidity, the display will change back to the current room humidity. 30% is dryer, 50% is normal and 90% is more moisture.

### 5 ) Filter Timer

After 250 hours of operation, the indicator light will glow to remind you to clean the filter. Remove the filter and clean it. Press to turn off the light. See "AIR FILTER CLEANING STEPS".

### 6) HUMIDITY AND TIMER DISPLAY

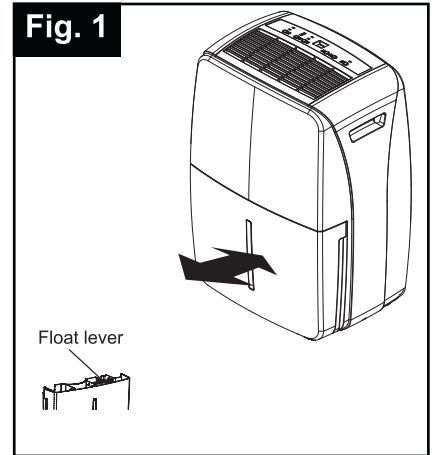
**7) BUCKET FULL LIGHT:** When water tank is full, bucket full light illuminates.

**8) DEFROST LIGHT:** When temperature is low, unit enters defrost mode and defrost light illuminates.

## OPERATING INSTRUCTIONS

### START OPERATION

1. Place the product in an upright position on a flat, stable, and heat-resistant surface. Make sure there is nothing flammable or heat sensitive within 39 inch(100cm). Operating the product in any other position could cause a hazard.
2. Insert the plug into a suitable wall socket. The dehumidifier is suitable for operating on an electricity supply having the same voltage as that shown on its rating label.
3. Make sure the water tank is correctly located. After switching on the machine for the first time, if the “Bucket Full” light illuminates, pull out the water tank and check that the “float” lever is able to move freely, then return the water tank to the correct position (Fig. 1).



### WATER FULL INDICATOR LIGHT (RED)

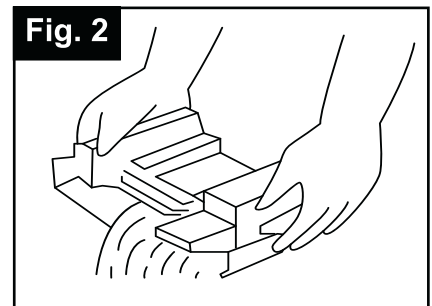
When the water tank is full and/or incorrectly positioned inside the cabinet, the water full red light turns on and remains on until such time that the tank is emptied and/or correctly re-positioned. This condition will result in the immediate shut down of the dehumidifying system (both compressor and fan motor operations are terminated). This is a safety feature. When the water tank is emptied and/or correctly re-positioned, the dehumidifier will resume operation automatically.

**NOTE:** It may take several minutes before operating conditions resume.

### BUCKET FULL LIGHT

- When the water tank is full the machine will stop and the “ Bucket Full” light will illuminate.
- The water tank should be carefully removed from the machine by sliding it outward from the front of the unit and it should be emptied. When the empty tank is replaced properly in the machine, the unit will start up and run normally (Fig. 2).

**NOTE:** Please use both hands to carefully empty the water tank.



### FACTORY DEFAULT SETTING

Humidity Setting: 30% Fan Speed: Low

**NOTE:** In the event of a power failure, the unit will default to the last program setting that was used when power is restored (does not include TIMER setting).

### WATER TANK OPERATION

Proper installation of the water tank is crucial in maintaining reliable dehumidifier operation. The water tank holds accumulated condensed water and, by means of a safety switch, controls both the water level and operation of the dehumidification process. When the water tank is full and/or accidentally displaced inside the cabinet, the float switch actuator (inside the tank) breaks contact with the safety switch. This condition results in the immediate shut down of the compressor and fan motor system, preventing moisture from being condensed.

**NOTE:** Never tamper with or attempt to defeat the water level (safety) float switch system.

## OPERATING INSTRUCTIONS

---

### DEFROST

When the machine is operated at low temperatures (less than 64.4°F (18°C)), the surface of the evaporator may accumulate a layer of frost which would reduce the efficiency of the machine. When this happens the machine will go into periodic defrost mode. The machine will operate in temperatures down to 41°F (5°C). The time taken to defrost may vary. If the machine freezes up, it should be turned off at the power supply and re-started. If the room temperature remains below 41°F (5°C) the machine should be switched off.

### DEHUMIDIFYING

DEHUMIDIFYING MODE SELECTION:

- 1) To turn the unit on, press the ON / OFF button.
- 2) Press “+” and “-” button to select a desired RH operating value (30%-90%).

FAN SPEED SELECTION: Select a fan speed on the keypad. The speed you select is identified by the (illuminated) indicator light located directly above the selection mode.

If the humidity levels of the room reaches desired humidity setting, the fan will turn off. Only If the humidity levels of the room is higher than the desired humidity setting, the fan will turn on. It is normal for the surrounding air to become slightly warmer as the dehumidifier operates. It is normal for the fan to turn on a few minutes and then turn off from time to time. It means the humidity levels of the room is still lower than the desired humidity setting.

### AIR FILTER

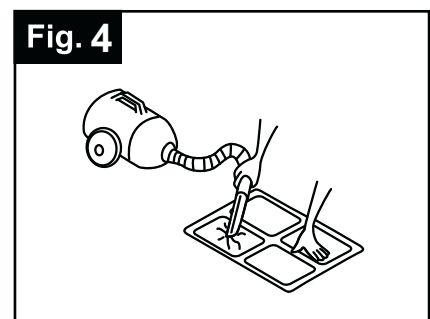
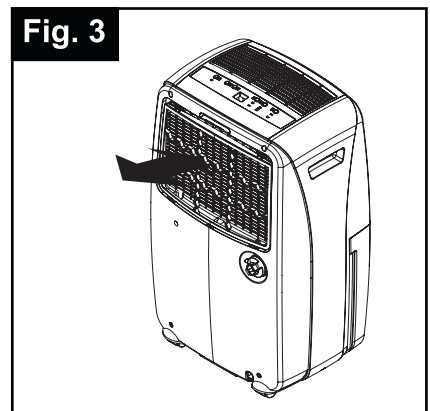
This dehumidifier features a removable air filter. This filter is located at the back of the unit (behind the air intake grille) directly above the water tank compartment. A blocked / clogged air filter reduces air intake, impacting negatively on operating efficiency.

After 250 hours of operation, the indicator light will glow to remind you to clean the filter. Remove the filter and clean it. Press to turn off the light. See "AIR FILTER CLEANING STEPS".

**IMPORTANT:** Never operate the unit without the air filter in place.

### AIR FILTER CLEANING STEPS:

- 1) Pull the air filter out gently (Fig.3).
- 2) Clean the filter with a vacuum cleaner or wash it with clean water and dry with a dry cloth.
- 3) Put the clean air filter back in place and continue to operate the dehumidifier.

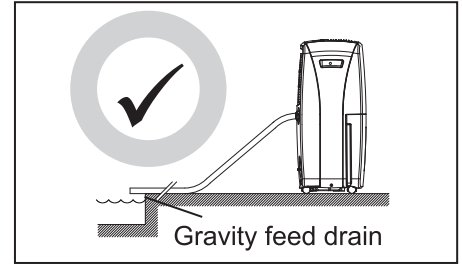
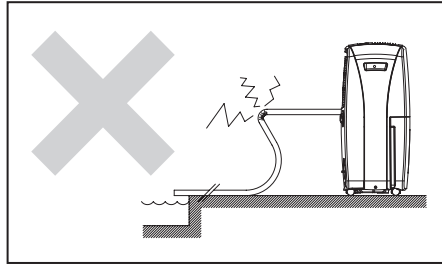
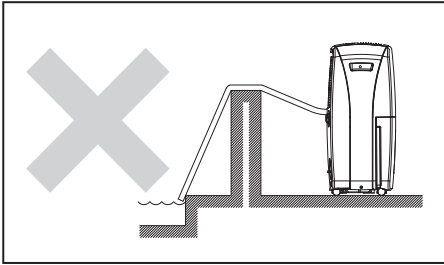


## OPERATING INSTRUCTIONS

### INSTALLING GARDEN HOSE

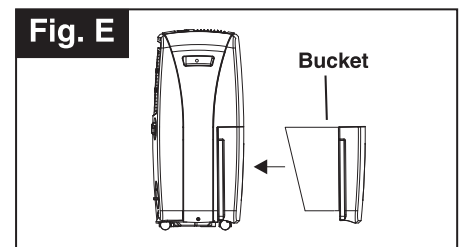
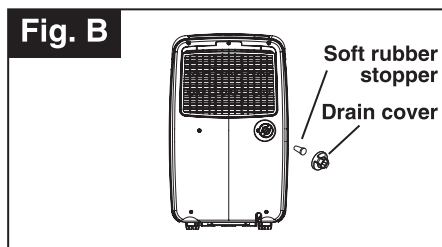
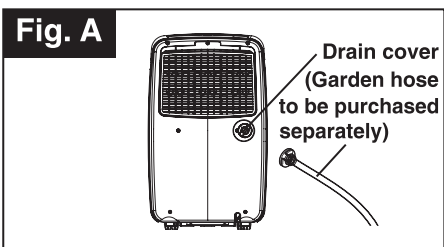
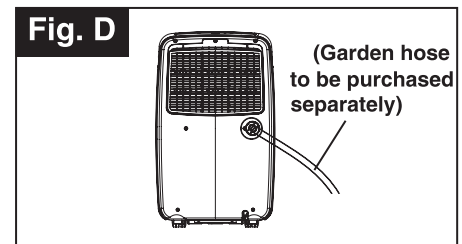
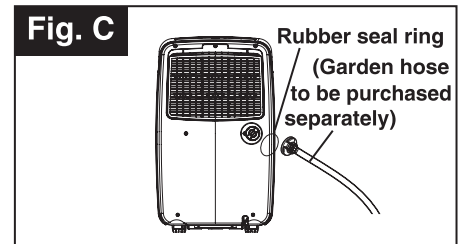
When the water tank is full and/or incorrectly positioned inside the cabinet, the water full red light turns on and remains on until such time that the tank is emptied and/or correctly re-positioned. This condition will result in the immediate shut down of the dehumidifying system (both compressor and fan motor operations are terminated). This is a safety feature. When the water tank is emptied and/or correctly re-positioned, the dehumidifier will resume operation automatically.

**NOTE:** It may take several minutes before operating conditions resume.



### CONTINUOUS DRAIN (garden hose to be purchased separately)

1. To save having to periodically empty the water tank, this unit can be configured for continuous drain. You can use a garden hose to connect to the continuous drain connector.
2. Unscrew and remove the drain cover at the rear of the unit (Fig. A).
3. Remove the soft rubber stopper and place it in the water tank for safe keeping (Fig. B).
4. Ensure the rubber seal ring is properly seated in the end of the hose as shown in Fig. C.
5. Connect the garden hose to the drain port (Fig. D).
6. Tighten the garden hose in a clockwise direction onto the rear of the unit (Fig. D).
7. Place the bucket in its original location (Fig. E).
8. Place the other end of the garden hose to your floor drain.



The above method is for floor drain hole drainage.

## CARE AND MAINTENANCE

---

### CLEANING

**CAUTION:** Before attempting to clean and/or service this unit, always disconnect the power supply cord from the electrical supply outlet.

- 1) DO NOT use gasoline, benzene, paint thinner, or any other chemicals to clean this unit, as these substances will damage/deform both plastic components and luster finish.
- 2) Never attempt to clean the unit by pouring water directly over any of the surface areas, as this will cause deterioration of electrical components and wiring insulation.
- 3) Use only a mild dish washing detergent, lukewarm water, and a soft cloth to wipe the exterior surface of the unit and dry thoroughly.

### STORAGE

When the dehumidifier is not being used for long time periods, please follow these instructions:

- 1) Disconnect the power cord from the power supply.
- 2) Empty the water tank and wipe (dry) thoroughly.
- 3) Clean air filter thoroughly.
- 4) Re-package the unit in the original carton.
- 5) Store the unit upright in a dry location.

## TROUBLESHOOTING

---

Occasionally, you may encounter some problems that are of a minor nature and a service call may not be necessary. Use this troubleshooting guide to identify possible problems you may be experiencing.

PROBLEM	POSSIBLE CAUSE
1) Unit will not operate.	<ul style="list-style-type: none"><li>• Check power cord connection.</li><li>• Check electrical outlet for blown fuse.</li><li>• Check if water tank is full (if yes, empty).</li><li>• Check water tank is properly installed.</li></ul>
2) Dehumidifying capacity (moisture removal) low.	<ul style="list-style-type: none"><li>• Ambient (room) temperature too low (below 41°F).</li><li>• Poor air flow circulation/obstruction of front grille.</li><li>• Air filter is dirty and/or blocked.</li><li>• Relative humidity in surrounding environment very low.</li></ul>
3) Relative Humidity setting not reached after long period of operation.	<ul style="list-style-type: none"><li>• Check all doors and windows are closed.</li><li>• Area/room is too large for the capacity of the dehumidifer.</li></ul>



## WARRANTY

---

### LIMITED APPLIANCE WARRANTY

This quality product is warranted to be free from manufacturer's defects in material and workmanship, provided that the unit is used under the normal operating conditions intended by the manufacturer. This warranty is available only to the person to whom the unit was originally sold by manufacturer or by an authorized distributor of manufacturer, and is non-transferable.

### TERMS OF WARRANTY

Plastic parts, are warranted for thirty (30) days only from purchase date, with no extensions provided.

#### First 12 Months:

During the first twelve (12) months, any functional parts of this product found to be defective, will be repaired or replaced, at warrantor's option, at no charge to the ORIGINAL purchaser.

To obtain service, see contact information below:

U.S. Residents: Call 1-855-900-1298

CANADA Residents: Call [1-855-900-1298](tel:1-855-900-1298)

**or RETURN TO THE STORE WHERE PURCHASED FOR REPLACEMENT.**

### EXCLUSIONS

Save as herein provided, manufacturer, there are no other warranties, conditions, representations or guarantees, express or implied, made or intended by manufacturer or its authorized distributors and all other warranties, conditions, representations or guarantees, including any warranties, conditions, representations or guarantees under any Sale of Goods Act or like legislation or statute is hereby expressly excluded. Save as herein provided, manufacturer shall not be responsible for any damages to persons or property, including the unit itself, howsoever caused or any consequential damages arising from the malfunction of the unit and by the purchase of the unit, the purchaser does hereby agree to indemnify and hold harmless manufacturer from any claim for damages to persons or property caused by the unit.

As some states do not allow the limitation or exclusion of incidental or consequential damages, or do not allow limitation on implied warranties, the above limitations and exclusions may not apply to you. This warranty gives you specific legal rights, and you may also have other rights that vary from state to state.

### GENERAL PROVISIONS

No warranty or insurance herein contained or set out shall apply when damage or repair is caused by any of the following:

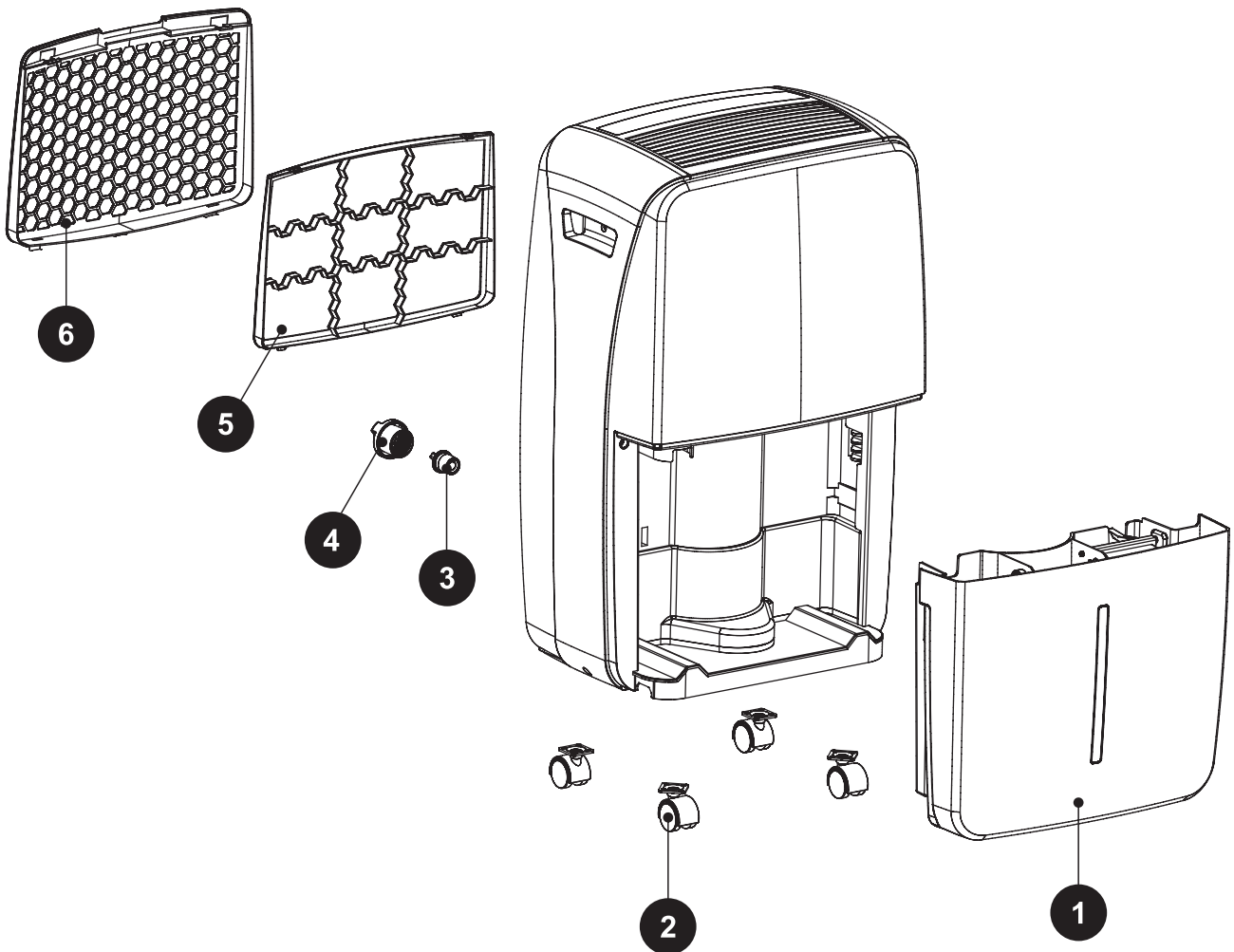
- 1) Power failure.
- 2) Damage in transit or when moving the appliance.
- 3) Improper power supply such as low voltage, defective house wiring or inadequate fuses.
- 4) Accident, alteration, abuse or misuse of the appliance such as inadequate air circulation in the room or abnormal operating conditions (extremely high or low room temperature).
- 5) Use for commercial or industrial purposes (ie. If the appliance is not installed in a domestic residence).
- 6) Fire, water damage, theft, war, riot, hostility, acts of God such as hurricanes, floods, etc.
- 7) Service calls resulting in customer education.
- 8) Improper Installation (ie. Building-in of a free standing appliance or using an appliance outdoors that is not approved for outdoor application).

Proof of purchase date will be required for warranty claims; so, please retain bills of sale.

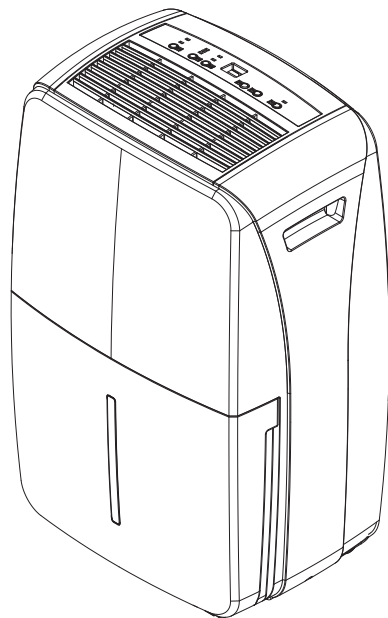
## REPLACEMENT PARTS LIST

For replacement parts, call our customer service department at 1-855-900-1298 (U.S.) / 1-855-900-1298 (Canada), 8 a.m. - 6 p.m., EST, Monday – Thursday, 8 a.m. - 5 p.m., EST, Friday.

PART	DESCRIPTION	PART #
1	DRAIN BUCKET (WATER TANK)	D5401-870-A-A5
2	TURNING WHEEL (CASTER)	D7402-100
3	DRAIN SOFT CAP	D7324-030
4	DRAIN PLUG	D7306-160-A-A5
5	AIR FILTER	D7301-540-P-A5
6	INTAKE GRILLE	D4255-210-A-A5



Printed in China



**JOIGNEZ VOTRE REÇU ICI**

Numéro de série \_\_\_\_\_ Date d'achat \_\_\_\_\_



**Des questions, des problèmes, des pièces manquantes?** Avant de retourner l'article au détaillant, appelez notre service à la clientèle au 1 855 900-1298 (États-Unis) / **1 855 900-1298** (Canada), entre 8 h et 18 h (HNE), du lundi au jeudi, ou entre 8 h et 17 h (HNE) le vendredi.

## TABLE DES MATIÈRES

CONTENU DE L'EMBALLAGE .....	17
CONSIGNES DE SÉCURITÉ .....	18
MODE D'EMPLOI.....	22
ENTRETIEN .....	26
DÉPANNAGE .....	26
GARANTIE .....	27
LISTE DES PIÈCES DE RECHANGE.....	28

### IMPORTANT

**Avant de mettre le déshumidificateur en marche :** 1. Retirez le seau. 2. Retirez la bande de ruban adhésif qui recouvre l'interrupteur à flotteur dans le seau. 3. Remettez le seau dans l'appareil.

**Avant la première utilisation :** laissez l'appareil à la verticale pendant 30 minutes avant de le mettre en marche.

**Fonctionnement :** l'humidificateur ne réduit le taux d'humidité que lorsque le taux réglé est inférieur à celui de la pièce où il se trouve.



**Le MODE DE MINUTERIE :** cet appareil peut s'allumer et s'éteindre automatiquement selon votre réglage du taux d'humidité (% HR). Le mode de minuterie vous permet d'allumer ou d'éteindre le déshumidificateur au moment voulu.

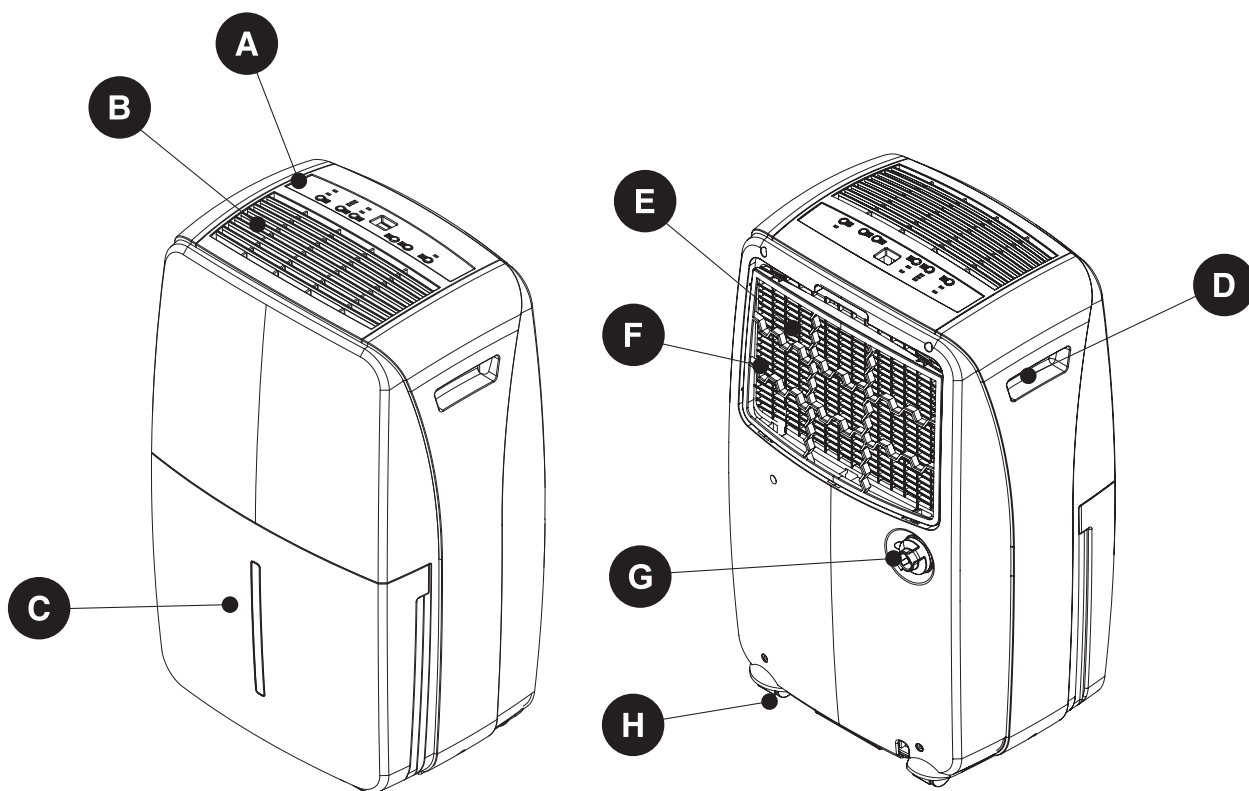
Lorsque l'appareil fonctionne, il affiche le taux d'humidité ambiante. Appuyez sur le bouton TIMER (minuterie) pour régler l'arrêt automatique du déshumidificateur, conformément au tableau de réglage ci-dessous. Le voyant d'arrêt de la minuterie sera ALLUMÉ. L'écran affichera la minuterie pendant cinq secondes, puis indiquera le taux d'humidité ambiante et confirmera le réglage.

Lorsque l'appareil est éteint, appuyez sur le bouton TIMER (minuterie) pour régler l'allumage automatique du déshumidificateur, conformément au tableau de réglage ci-dessous. Le voyant d'allumage de la minuterie sera ALLUMÉ. L'écran affichera la minuterie pendant cinq secondes, puis indiquera l'heure d'allumage et confirmera le réglage.

**TABLEAU DE RÉGLAGE DE LA MINUTERIE :** 4 heures → 8 heures → 12 heures → Annuler le réglage de la minuterie

**Gamme des températures de fonctionnement recommandées :**  
5 °C (41 °F) à 32 °C (89 °F).

## CONTENU DE L'EMBALLAGE



PICE	DESCRIPTION	QUANTIT
A	Panneau de commande	1
B	vent d'aération	1
C	Seau de vidange (réservoir d'eau)	1
D	Poignée	2
E	Entrée d'air	1
F	Filtre à air	1
G	Orifice de vidange en continu	1
H	Roulettes	4

## **CONSIGNES DE SÉCURITÉ**

---

Assurez-vous de lire et de comprendre l'intégralité du présent manuel avant de tenter d'assembler, d'utiliser ou d'installer l'article.

- Vérifiez l'alimentation électrique et réglez tout problème de cblage AVANT d'installer et de faire fonctionner le déshumidificateur. Le cblage doit être effectué par un électricien qualifié conformément aux codes de l'électricité en vigueur dans votre pays et votre région. Si vous avez des questions au sujet des instructions suivantes, communiquez avec un électricien qualifié.
- Le déshumidificateur nécessite une intensité de 7.5 A et peut être branché sur n'importe quelle prise domestique mise à la terre de 15 A à usage général.
- Pour votre sécurité et votre protection, le déshumidificateur est mis à la terre par l'intermédiaire de la fiche du cordon d'alimentation lorsque celle-ci est branchée sur une prise murale compatible. Si vous n'êtes pas certain que les prises murales de votre domicile sont correctement mises à la terre, consultez un électricien qualifié.

### **DANGER**

- Ne laissez pas le déshumidificateur sans surveillance dans une pièce où se trouve une personne ou un animal qui ne saurait réagir adéquatement en cas de défaillance du déshumidificateur. Une défaillance risque de provoquer une surchauffe extrême pouvant entrainer la mort dans un espace clos laissé sans surveillance.

### **AVERTISSEMENT**

- Un branchement inadéquat de la fiche de mise à la terre risque de provoquer un incendie, une décharge électrique ou des blessures. Consultez un représentant qualifié si vous n'êtes pas certain que l'appareil est adéquatement mis à la terre.
- N'UTILISEZ PAS DE FICHE D'ADAPTATION NI DE RALLONGE AVEC LE DSHUMIDIFICATEUR. Si une rallonge est nécessaire, utilisez uniquement une rallonge approuvée conue pour les déshumidificateurs.

## **PRPARATION**

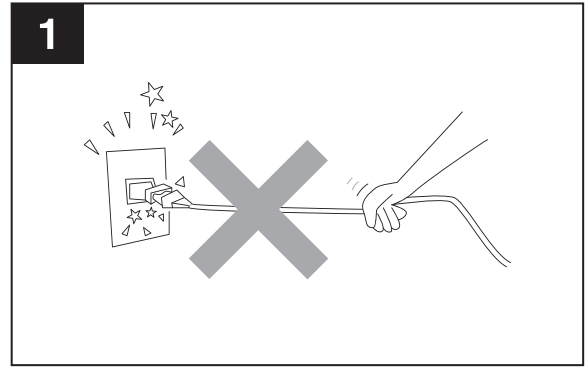
---

Avant de commencer l'installation de l'article, assurez-vous d'avoir toutes les pièces. Comparez le contenu de l'emballage avec la liste des pièces. S'il y a des pièces manquantes ou endommagées, n'installez pas l'article.

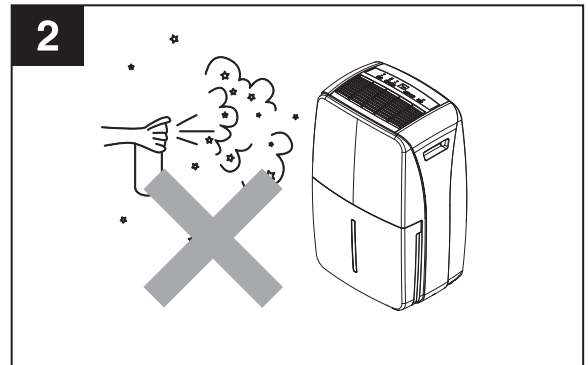
**Temps d'assemblage approximatif : 20 minutes.**

## CONSIGNES DE SÉCURITÉ

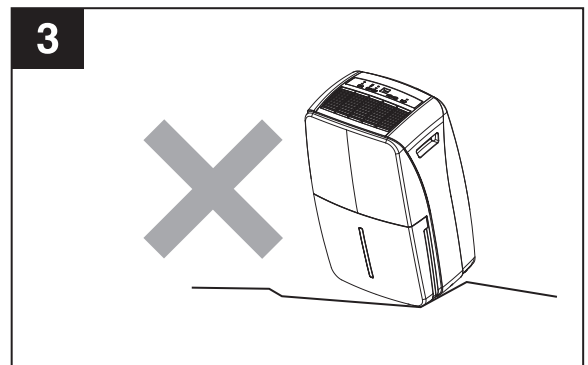
1. Pour éviter les risques de bris et de blessure et les dangers potentiels, NE tirez PAS sur le cordon d'alimentation.



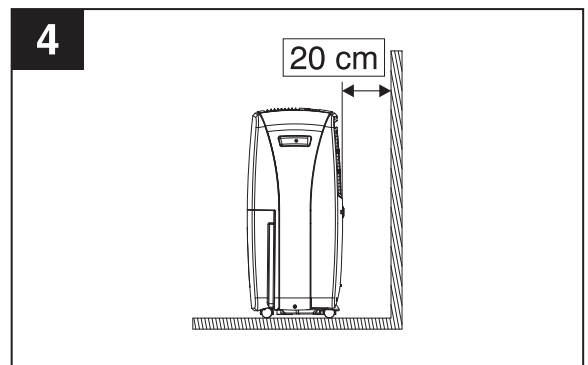
2. N'utilisez PAS d'insectifuge et NE pulvérisez PAS d'huile ni de peinture autour de l'appareil. Ces produits peuvent endommager les pièces de plastique ou provoquer un incendie.



3. NE déposez PAS l'appareil sur un sol inégal pour éviter les vibrations, le bruit et les fuites d'eau.

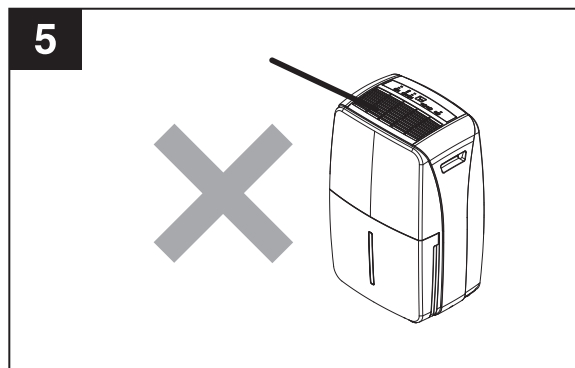


4. Observez en tout temps un écart d'au moins 20,32 cm (8 po) entre l'appareil et le mur afin de permettre à la chaleur de se dissiper adéquatement.

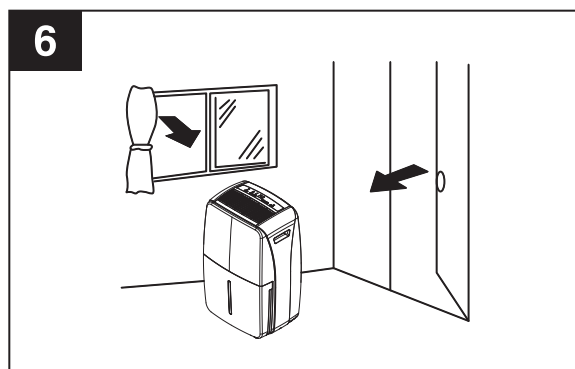


## CONSIGNES DE SÉCURITÉ

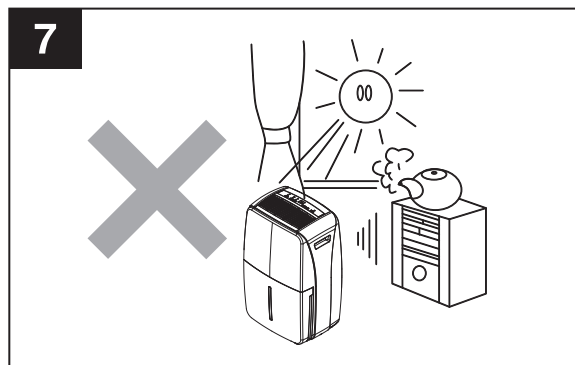
5. NE faites RIEN tomber dans le déshumidificateur.



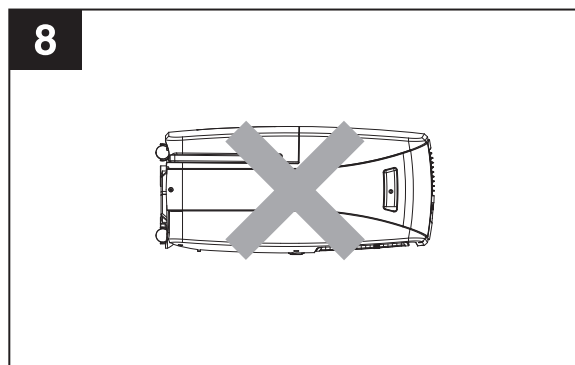
6. Fermez toutes les fenêtres de façon à obtenir une déshumidification et un rendement optimaux.



7. Gardez le déshumidificateur à distance de toute source de chaleur.



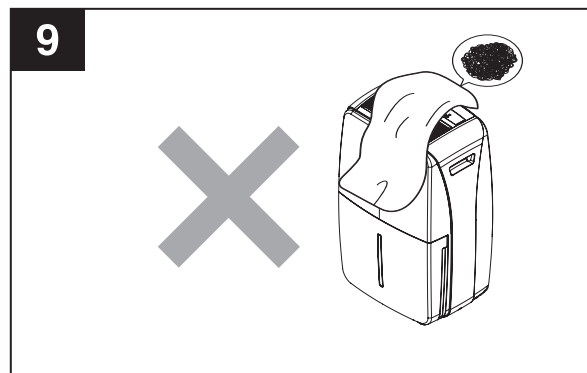
8. Lorsque vous déplacez ou entreposez l'humidificateur, veillez à ne pas le coucher ni le retourner, et évitez de le secouer.



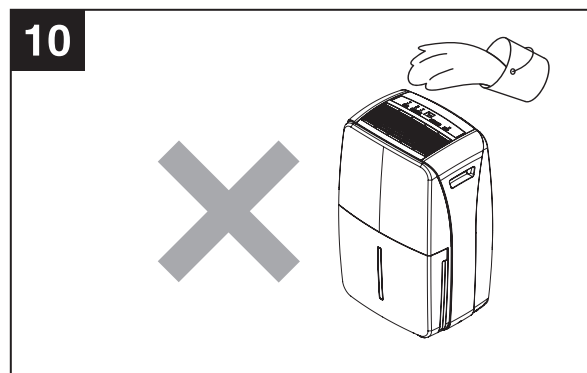


## CONSIGNES DE SÉCURITÉ

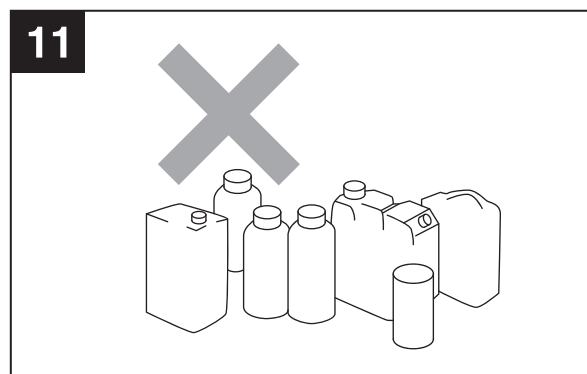
9. NE placez AUCUN objet sur la sortie d'air ou à proximité de l'entrée d'air. Vous risqueriez d'entraîner une défectuosité ou une baisse de rendement de l'appareil.



10. Veillez à ce que l'appareil et le panneau de commande ne soient pas mouillés.

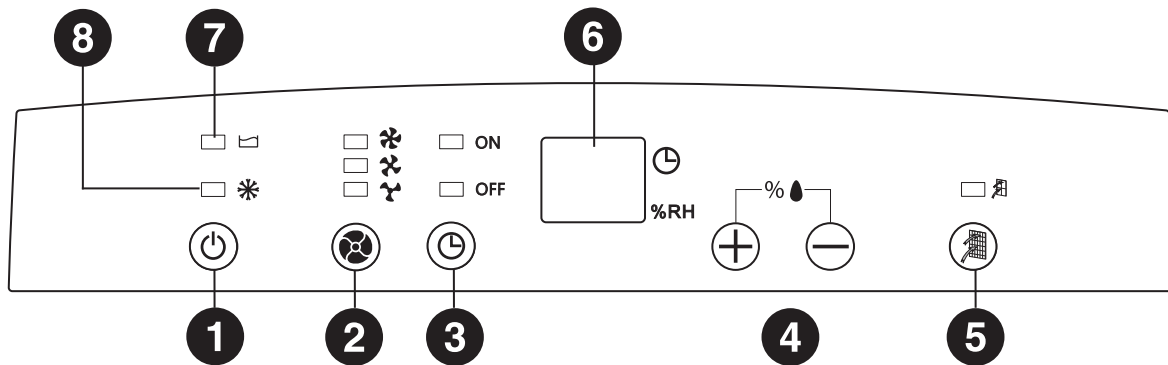


11. Gardez l'appareil à distance des gaz et des liquides inflammables.



## MODE D'EMPLOI

Caractéristiques du panneau de commande :



**1) Interrupteur** : marche-arrêt

**2) Bouton de réglage de la VITESSE DU VENTILATEUR** : basse, moyenne et élevée

**3) MINUTERIE** : mise en marche automatique, arrêt automatique

Le MODE DE MINUTERIE : cet appareil peut s'allumer et s'éteindre automatiquement selon votre réglage du taux d'humidité (% HR). Le mode de minuterie vous permet d'allumer ou d'éteindre le déshumidificateur au moment voulu. Lorsque l'appareil fonctionne, il affiche le taux d'humidité ambiante. Appuyez sur le bouton TIMER (minuterie) pour régler l'arrêt automatique du déshumidificateur, conformément au tableau de réglage ci-dessous. Le voyant d'arrêt de la minuterie sera ALLUMÉ. L'écran affichera la minuterie pendant cinq secondes, puis indiquera le taux d'humidité ambiante et confirmera le réglage.

Lorsque l'appareil est éteint, appuyez sur le bouton TIMER (minuterie) pour régler l'allumage automatique du déshumidificateur, conformément au tableau de réglage ci-dessous. Le voyant d'allumage de la minuterie sera ALLUMÉ. L'écran affichera la minuterie pendant cinq secondes, puis indiquera l'heure d'allumage et confirmera le réglage.

**TABLEAU DE RÉGLAGE DE LA MINUTERIE** :  → 4 heures → 8 heures → 12 heures → Annuler le réglage de la minuterie

### 4) Réglage de l'HUMIDITÉ

Lorsque l'appareil fonctionne, il affiche le taux d'humidité ambiante. Utilisez les boutons < + > et < - > pour sélectionner le réglage d'humidité souhaité. Vous pouvez augmenter ou diminuer de 5 % le taux d'humidité chaque fois que vous appuyez sur le bouton correspondant. Les réglages possibles vont de 30 % à 90 %. Dix secondes après le réglage, l'écran indiquera de nouveau l'humidité ambiante. Une pièce à 30 % d'humidité est plus sèche, un taux de 50 % est normal et un taux de 90 % est plus humide.

### 5) Minuterie du filtre

Après 250 heures de fonctionnement, le voyant s'allume afin de vous rappeler de nettoyer le filtre. Retirez le filtre, puis nettoyez-le. Appuyez sur le bouton pour éteindre le voyant. Suivez les étapes de la section « PROCÉDURE DE NETTOYAGE DU FILTRE À AIR ».

### 6) AFFICHAGE DU TAUX D'HUMIDITÉ ET DE LA MINUTERIE

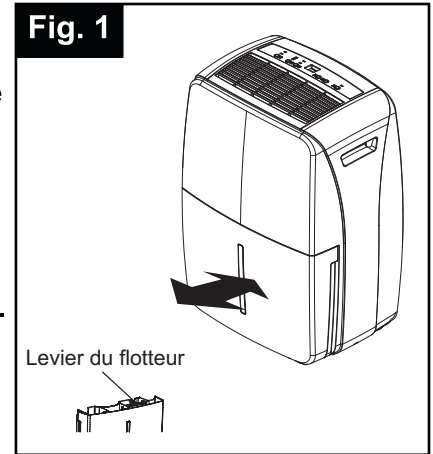
**7) VOYANT POUR RÉSERVOIR PLEIN** : ce voyant s'allume lorsque le réservoir d'eau est plein.

**8) VOYANT DE DÉGIVRAGE** : lorsque la température est basse, l'appareil passe en mode de dégivrage et ce voyant s'allume.

## MODE D'EMPLOI

### MISE EN MARCHÉ

1. Placez l'article à la verticale sur une surface plane, stable et résistante à la chaleur. Faire fonctionner le déshumidificateur dans une autre position pourrait constituer un danger. Veillez à ce qu'aucune substance inflammable ou thermosensible ne se trouve dans un rayon de 99,06 cm (39 po) de l'appareil.
2. Branchez la fiche sur une prise murale convenable. Le déshumidificateur est conçu pour fonctionner avec une source d'alimentation dont la tension correspond à celle indiquée sur l'étiquette.
3. Vérifiez que le réservoir d'eau est correctement installé. Si le voyant avertisseur pour réservoir plein s'allume après la première mise en marche de l'appareil, retirez le réservoir, veillez à ce que le levier du « flotteur » puisse se déplacer librement, puis remplacez le réservoir à l'emplacement approprié (fig. 1).



### VOYANT DE VIDANGE (ROUGE)

Si le réservoir est plein ou n'est pas placé correctement dans le boîtier, le voyant de vidange rouge s'allume et demeure allumé jusqu'à ce que le réservoir soit vidé ou remplacé correctement.

Cette situation entraîne l'arrêt immédiat du système de déshumidification (le compresseur et le moteur du ventilateur cessent de fonctionner). Il s'agit d'une mesure de sécurité. Le déshumidificateur redémarrera automatiquement une fois le réservoir d'eau vidé ou remplacé correctement.

**REMARQUE :** Quelques minutes peuvent s'écouler avant que l'appareil recommence à fonctionner normalement.

### VOYANT POUR RÉSERVOIR PLEIN

- Lorsque le réservoir d'eau est plein, l'appareil s'éteint et ce voyant s'allume.
- Retirez le réservoir avec précaution en le faisant glisser vers l'extérieur à partir de l'avant de l'appareil, puis videz-le. L'appareil démarrera et fonctionnera normalement une fois le réservoir vidé et remplacé adéquatement (fig. 2).

**REMARQUE :** Utilisez vos deux mains pour vider soigneusement le réservoir d'eau.

### RÉGLAGE PAR DÉFAUT

Chaque fois que l'appareil est débranché ou rebranché, ou dans le cas d'une panne de courant, le déshumidificateur passe automatiquement au réglage par défaut suivant :

Réglage de l'humidité : 30%

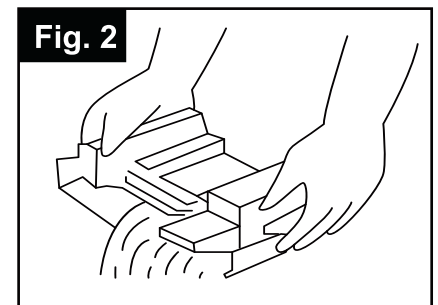
Vitesse du ventilateur : Basse

**REMARQUE :** Si une panne de courant survient, le déshumidificateur reprend les derniers réglages sélectionnés lorsque le courant revient.

### MODE D'EMPLOI DU RÉSERVOIR D'EAU

Une installation adéquate du réservoir d'eau est essentielle au bon fonctionnement du déshumidificateur. Le réservoir contient l'eau condensée accumulée et, au moyen d'un interrupteur de sécurité, gère à la fois le niveau d'eau et le processus de déshumidification. Lorsque le réservoir est plein ou déplacé involontairement dans le boîtier, l'actionneur de l'interrupteur à flotteur (dans le réservoir) rompt le contact avec l'interrupteur de sécurité. Cette situation entraîne l'arrêt immédiat du compresseur et du moteur du ventilateur, empêchant ainsi la condensation de l'humidité.

**REMARQUE :** Ne tentez jamais de modifier ni de contourner le système d'interrupteur de sécurité à flotteur.



## MODE D'EMPLOI

### DÉGIVRAGE

Lorsque l'appareil fonctionne à des températures basses (moins de 18 °C [64,4 °F]), une couche de givre peut s'accumuler sur la surface de l'évaporateur, causant ainsi une baisse de l'efficacité. Lorsque cela se produit, le déshumidificateur passe de façon périodique en mode de dégivrage. L'appareil fonctionne à des températures pouvant atteindre aussi peu que 5 °C (41 °F). Le temps de dégivrage peut varier. Si le déshumidificateur gèle, vous devez en couper l'alimentation électrique, puis le redémarrer. Si la température ambiante demeure inférieure à 5 °C (41 °F), éteignez l'appareil.

### DÉSHUMIDIFICATION

SÉLECTION DU MODE DE DÉSHUMIDIFICATION :

1) Appuyez sur le bouton ON/OFF (marche-arrêt) pour mettre l'appareil en marche.

2) Appuyez sur les boutons "+" ou "-" pour sélectionner le taux d'humidité relative souhaité (entre 30 % et 90 %).

RÉGLAGE DE LA VITESSE DU VENTILATEUR : sélectionnez la vitesse de ventilation souhaitée à partir du clavier. La vitesse choisie est indiquée par le voyant (allumé) situé directement au-dessus du mode de sélection.

Le ventilateur s'éteint dès que le taux d'humidité ambiante atteint le taux indiqué au réglage. Il s'allume seulement si le taux d'humidité ambiante est supérieur au taux indiqué au réglage. Il est normal que l'air ambiant se réchauffe légèrement pendant que le déshumidificateur fonctionne. Il est également normal que le ventilateur s'allume pour quelques minutes et s'éteigne à l'occasion. Cela signifie que le taux d'humidité ambiante est toujours inférieur au taux indiqué au réglage.

### FILTRE À AIR

Le déshumidificateur contient un filtre à air amovible. Il est situé à l'arrière de l'appareil (derrière la grille de l'entrée d'air), directement au-dessus du boîtier du réservoir d'eau. Un filtre à air bloqué ou obstrué réduit l'entrée d'air, ce qui diminue l'efficacité du déshumidificateur.

Après 250 heures de fonctionnement, le voyant s'allume afin de vous rappeler de nettoyer le filtre. Retirez le filtre, puis nettoyez-le. Appuyez sur le bouton pour éteindre le voyant. Suivez les étapes de la section « PROCÉDURE DE NETTOYAGE DU FILTRE À AIR ».

**IMPORTANT** : Ne faites jamais fonctionner l'humidificateur lorsque le filtre à air est désinstallé.

### PROCÉDURE DE NETTOYAGE DU FILTRE À AIR :

- 1) Retirez soigneusement le filtre à air (fig. 3).
- 2) Nettoyez le filtre au moyen d'un aspirateur, ou lavez-le à l'eau avant de l'essuyer avec un linge sec.
- 3) Remplacez le filtre à air propre et continuez d'utiliser le déshumidificateur.

Fig. 3

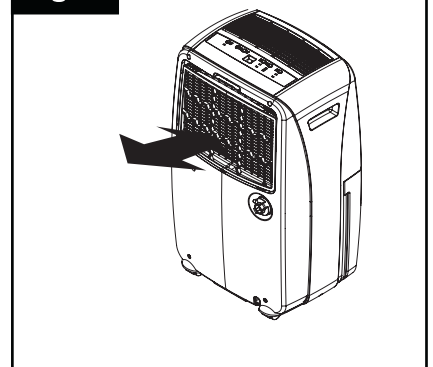
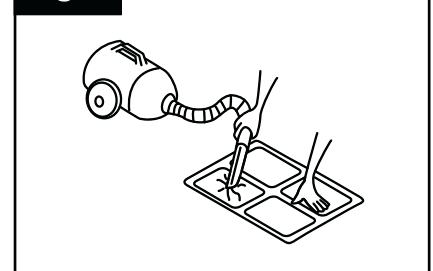


Fig. 4

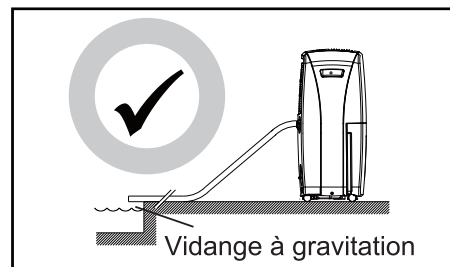
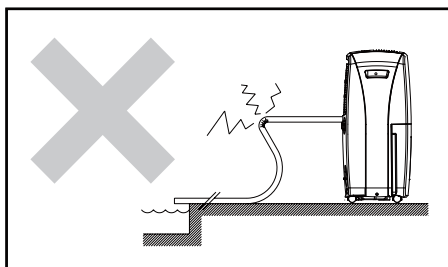
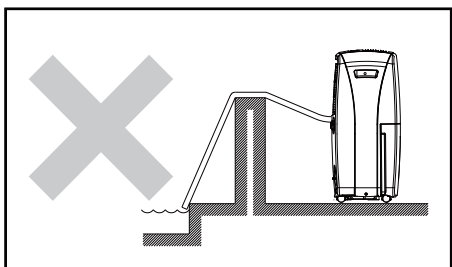


## MODE D'EMPLOI

### INSTALLATION DU TUYAU D'ARROSAGE

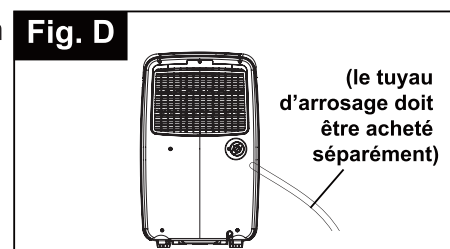
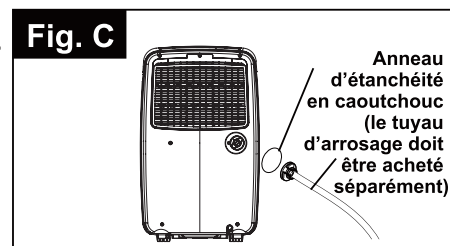
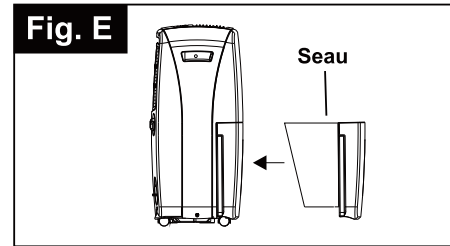
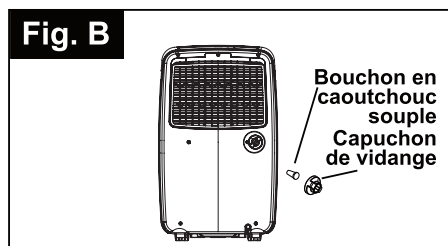
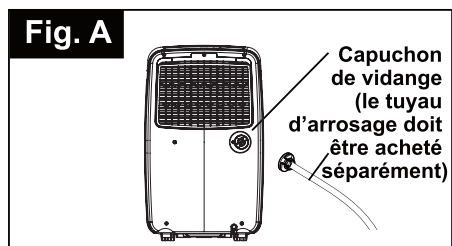
Si le réservoir est plein ou n'est pas placé correctement dans le boîtier, le voyant de vidange rouge s'allume et demeure allumé jusqu'à ce que le réservoir soit vidé ou remplacé correctement. Cette situation entraîne l'arrêt immédiat du système de déshumidification (le compresseur et le moteur du ventilateur cessent de fonctionner). Il s'agit d'une mesure de sécurité. Le déshumidificateur redémarrera automatiquement une fois le réservoir d'eau vidé ou remplacé correctement.

**REMARQUE :** Quelques minutes peuvent s'écouler avant que l'appareil ne recommence à fonctionner normalement.



### VIDANGE EN CONTINU DANS LE SIPHON DE SOL (le tuyau d'arrosage doit être acheté séparément)

1. Pour éviter d'avoir à vider périodiquement le réservoir d'eau, vous pouvez activer la fonction de vidange en continu du déshumidificateur. Pour ce faire, vous pouvez fixer un tuyau d'arrosage au raccord de vidange en continu.
2. Dévissez le capuchon de vidange à l'arrière du déshumidificateur, puis retirez-le (fig. A).
3. Enlevez le bouchon en caoutchouc souple, puis déposez-le dans le réservoir d'eau pour éviter de le perdre (fig. B).
4. Assurez-vous que l'anneau d'étanchéité en caoutchouc est bien en place à l'extrémité du tuyau (fig. C).
5. Raccordez le tuyau d'arrosage à la sortie d'eau (fig. D).
6. Vissez le tuyau d'arrosage dans le sens des aiguilles d'une montre à l'arrière du déshumidificateur (fig. D).
7. Remplacez le seau dans son emplacement initial (fig. E).
8. Placez l'autre extrémité du tuyau d'arrosage dans votre siphon de sol.



## ENTRETIEN

---

### NETTOYAGE

**ATTENTION** : Débranchez le cordon d'alimentation de la prise de courant avant de nettoyer ou d'entretenir l'appareil.

- 1) N'utilisez PAS d'essence, de benzène, de diluant à peinture ni tout autre produit chimique pour nettoyer le déshumidificateur, car ces substances endommageront les composants de plastique et le fini lustré de l'appareil.
- 2) Ne tentez jamais de nettoyer le déshumidificateur en versant de l'eau directement sur l'une de ses surfaces, sinon vous risquez d'abîmer les composants électriques et les isolants des fils.
- 3) Pour nettoyer la surface extérieure du déshumidificateur, n'utilisez qu'un savon à vaisselle doux, de l'eau tiède et un linge doux, et assurez-vous de bien sécher l'appareil.

### RANGEMENT

Si vous n'utilisez pas le déshumidificateur pendant une période prolongée, suivez les étapes ci-dessous :

- 1) Débranchez le cordon d'alimentation de la source d'alimentation.
- 2) Videz le réservoir d'eau et essuyez-le soigneusement.
- 3) Nettoyez soigneusement le filtre à air.
- 4) Remballez le déshumidificateur dans sa boîte.
- 5) Entrez le déshumidificateur à la verticale dans un endroit sec.

## DÉPANNAGE

---

Des problèmes mineurs sont susceptibles de survenir à l'occasion, problèmes pour lesquels un appel de service pourrait être non nécessaire. Utilisez le guide de dépannage ci-après pour cerner les problèmes éventuels que vous pourriez rencontrer.

PROBLÈME	CAUSE POSSIBLE
1) L'appareil ne fonctionne pas.	<ul style="list-style-type: none"><li>• Assurez-vous que l'appareil est allumé.</li><li>• Vérifiez le branchement du cordon d'alimentation.</li><li>• Vérifiez si le fusible associé à la prise de courant est grillé.</li><li>• Vérifiez si le réservoir d'eau est plein (le cas échéant, videz-le).</li><li>• Vérifiez si le réservoir d'eau est correctement installé.</li><li>• Vérifiez si le taux d'humidité ambiante est inférieur au taux indiqué au réglage.</li></ul>
2) La capacité de déshumidification (élimination de l'humidité) de l'appareil est faible.	<ul style="list-style-type: none"><li>• La température ambiante est trop basse (inférieure à 5 °C [41 °F]).</li><li>• La circulation d'air est faible ou la grille avant est obstruée.</li><li>• Le filtre à air est sale ou obstrué.</li><li>• L'humidité relative dans l'air environnant est très basse.</li></ul>
3) L'appareil n'a pas permis d'atteindre l'humidité relative réglée après une longue période de fonctionnement.	<ul style="list-style-type: none"><li>• Vérifiez que toutes les portes et fenêtres sont fermées.</li><li>• La zone ou la pièce est trop grande pour la capacité du déshumidificateur.</li></ul>
4) Le déshumidificateur dégage de l'air chaud.	<ul style="list-style-type: none"><li>• Cela est normal. Le déshumidificateur dégage de l'air chaud lorsqu'il est utilisé dans des conditions normales.</li></ul>



## GARANTIE

---

### GARANTIE LIMITÉE AVEC SERVICE

Ce produit de qualité est garanti contre les défauts de matériaux et de fabrication s'il est utilisé dans les conditions normales prévues par le fabricant. La présente garantie est offerte uniquement à la personne qui a acheté le déshumidificateur auprès du fabricant ou de l'un de ses distributeurs autorisés. Elle est non transférable.

### MODALITÉS DE LA GARANTIE

Les pièces en plastique sont garanties pendant trente (30) jours seulement à compter de la date d'achat. Cette période ne sera pas prolongée.

Douze premiers mois :

Durant les douze (12) premiers mois, le fabricant choisira de réparer ou de remplacer toute pièce fonctionnelle du produit jugée défectueuse, sans frais pour l'acheteur INITIAL.

Pour effectuer une réclamation :

des États-Unis : composez le 1 855 900-1298.

du Canada : composez le 1 855 900-1298.

**ou RETOURNEZ L'APPAREIL AU DÉTAILLANT AFIN DE L'ÉCHANGER.**

### EXCLUSIONS

Sauf disposition contraire des présentes, aucune autre condition, déclaration ou garantie expresse ou implicite n'est donnée ou prévue par le fabricant ou ses distributeurs autorisés, et toutes les autres conditions, déclarations et garanties, y compris celles qui s'appliquent en vertu d'une loi sur la vente d'objets ou d'une loi semblable, sont expressément exclues. Sauf disposition contraire des présentes, le fabricant ne peut être tenu responsable des dommages causés de quelque manière que ce soit à des personnes ou à des biens, y compris le déshumidificateur lui-même, par la défaillance du déshumidificateur ni de tout dommage consécutif, et en achetant le déshumidificateur, l'acheteur consent à exonérer le fabricant de toute responsabilité quant aux éventuelles réclamations pour des dommages causés par le déshumidificateur à des personnes ou à des biens.

Étant donné que certains États ou certaines provinces ne permettent pas la limitation ou l'exclusion des dommages accessoires ou consécutifs ou la limitation des garanties implicites, les limitations et les exclusions mentionnées ci-dessus peuvent ne pas s'appliquer à vous. Cette garantie vous confère des droits précis. Il est possible que vous disposiez également d'autres droits, qui varient d'un État ou d'une province à l'autre.

### DISPOSITIONS GÉNÉRALES

Aucune garantie ni assurance contenues ou énoncées aux présentes ne s'appliquent si des dommages ou des réparations sont dus à l'une des causes suivantes :

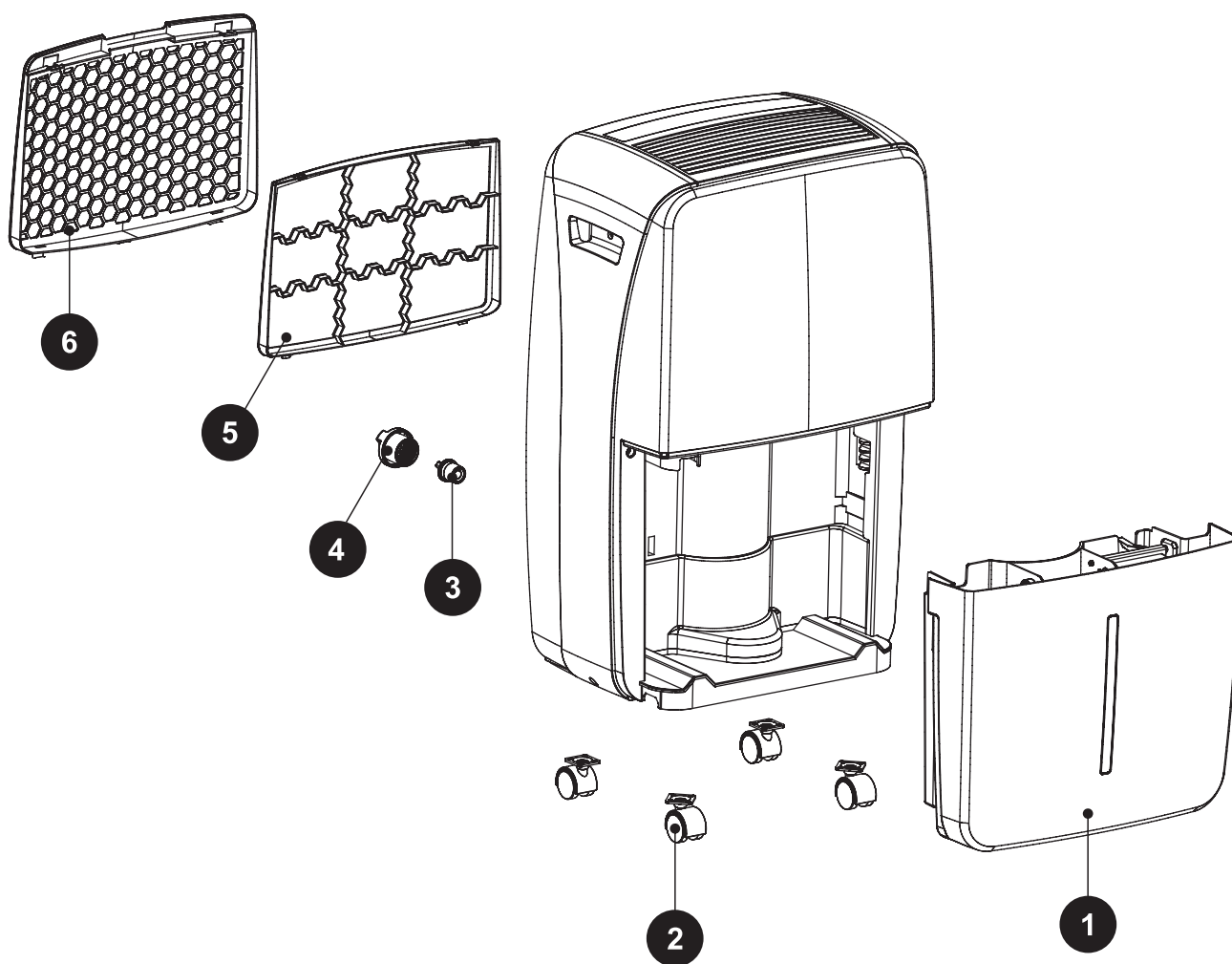
- 1) Une panne de courant.
- 2) Des dommages survenus durant le transport ou le déplacement du déshumidificateur.
- 3) Une alimentation électrique inadéquate, notamment une basse tension, un câblage défectueux ou des fusibles inappropriés.
- 4) Un accident, une modification ou encore un usage abusif ou inapproprié du déshumidificateur, par exemple une mauvaise circulation d'air dans la pièce ou des conditions de fonctionnement anormales (température ambiante extrêmement élevée ou basse).
- 5) L'utilisation du déshumidificateur à des fins commerciales ou industrielles (c'est-à-dire si le déshumidificateur n'est pas installé dans une résidence).
- 6) Un incendie, des dégâts d'eau, un vol, une guerre, une émeute, des hostilités ou un cas de force majeure tel qu'un ouragan ou une inondation.
- 7) La visite d'un réparateur ayant pour résultat d'informer le client.
- 8) Une installation inadéquate (notamment le fait d'encastrer un appareil sur pied ou d'utiliser à l'extérieur un appareil conçu pour l'intérieur).

Une preuve d'achat doit être présentée avec toute réclamation au titre de la garantie. Veuillez donc conserver le contrat de vente.

## LISTE DES PIÈCES DE RECHANGE

Pour obtenir des pièces de rechange, communiquez avec notre service à la clientèle au 1 855 900-1298 (États-Unis) / 1 855 900-1298 (Canada), entre 8 h et 18 h (HNE), du lundi au jeudi, ou entre 8 h et 17 h (HNE) le vendredi.

PIÈCE	DESCRIPTION	NO DE PIÈCE
1	SEAU DE VIDANGE (RÉSERVOIR D'EAU)	D5401-870-A-A5
2	ROULETTE	D7402-100
3	CAPUCHON SOUPLE DE VIDANGE	D7324-030
4	BOUCHON DE VIDANGE DIRECTE	D7306-160-A-A5
5	FILTRE À AIR	D7301-540-P-A5
6	GRILLE DE L'ENTRÉE D'AIR	D4255-210-A-A5



Imprimé en Chine